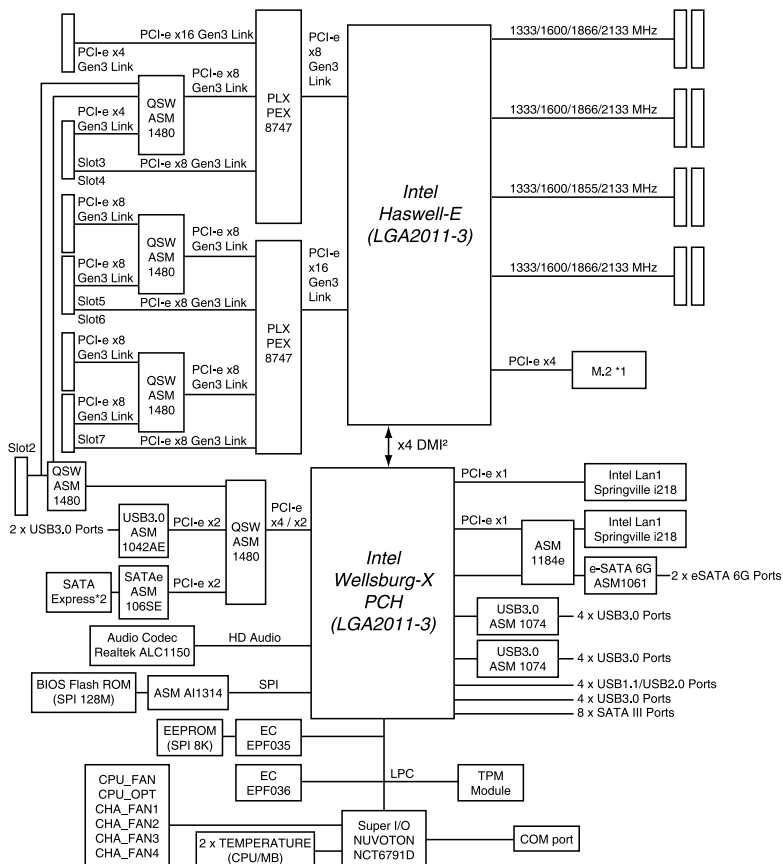


X99-E WS Technical Updates

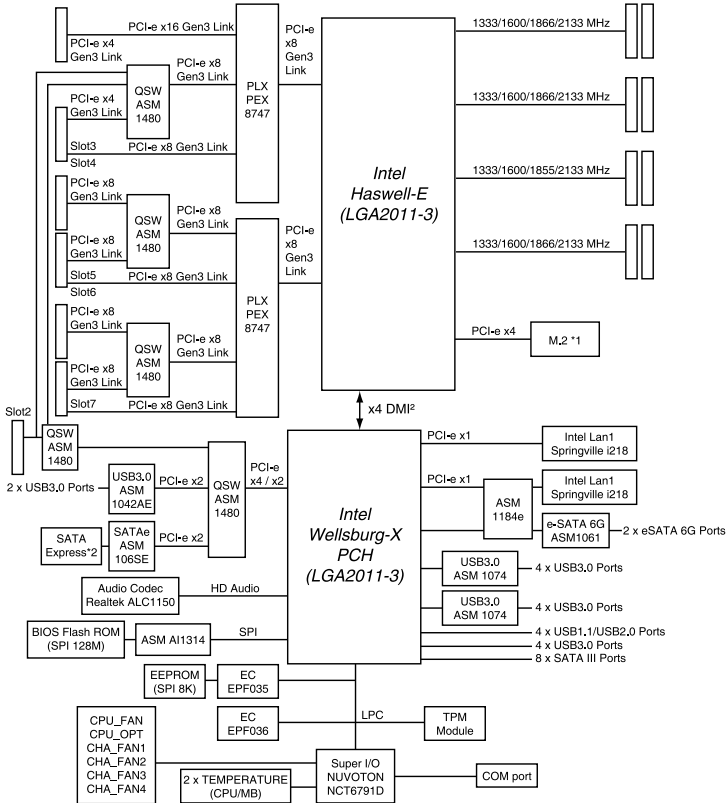
This is an information update for the user guide that comes with your motherboard package.

X99-E WS block diagram

40-lane CPU



28-lane CPU



1 5 0 6 0 - 4 4 5 2 0 0 0 0