

YOGA 900S-12ISK

Hardware

Maintenance

Manual

Lenovo[™]

Notes:

- Before using this information and the product it supports, be sure to read the general information under “Notices” on page 65.

First Edition (Dec. 2015)

© Copyright Lenovo 2015. All rights reserved.

LIMITED AND RESTRICTED RIGHTS NOTICE: If data or software is delivered pursuant a General Services Administration “GSA” contract, use, reproduction, or disclosure is subject to restrictions set forth in Contract No. GS-35F-05925.

© 2015 Lenovo

Contents

About this manual	iv	1060 Heat sink assembly	42
Safety information	1	1070 Speakers	43
General safety	2	1080 Power assembly, USB board, power button board and touch pad.....	44
Electrical safety	3	1090 LCD unit.....	46
Safety inspection guide	5	1100 Antenna.....	48
Handling devices that are sensitive to electrostatic discharge.....	6	1110 LCD module	49
Grounding requirements.....	6	1120 Mic board, Sensor board, LCD cover, and hinges	51
Safety notices: multilingual translations.....	7	Locations	53
Laser compliance statement.....	14	Front view and right-side view	53
Important service information	16	Bottom and Left-side view	54
Strategy for replacing FRUs	16	Parts list	55
Strategy for replacing a hard disk drive	17	Overall	56
Important notice for replacing a system board	17	LCD FRUs	60
Important information about replacing RoHS compliant FRUs.....	18	Screw.....	62
General checkout	19	AC adapters.....	63
What to do first	20	Power cords.....	64
Power system checkout.....	21	Lenovo logo.....	64
Checking the AC adapter	21	Notices	65
Checking operational charging	21	Trademarks	66
Related service information	23		
Restoring the factory contents by using OneKey Recovery	23		
Restore of factory default	23		
Passwords.....	24		
Power-on password.....	24		
Hard-disk password.....	24		
Supervisor password.....	24		
Power management	25		
Screen blank state.....	25		
Putting the computer to sleep or shutting it down.....	25		
Putting your computer to sleep.....	25		
Shutting down the computer.....	26		
Lenovo YOGA 900S-12ISK	27		
Specifications	27		
Status indicators	29		
Fn key combinations.....	30		
FRU replacement notices	31		
Screw notices	31		
Removing and replacing an FRU	32		
1010 Base cover.....	33		
1020 Battery pack.....	35		
1030 PCI Express Mini Card for wireless LAN	36		
1040 SSD card	38		
1050 System board	39		

About this manual

This manual contains service and reference information for the following Lenovo product:

Lenovo YOGA 900S-12ISK

Use this manual to troubleshoot problems.

The manual is divided into the following sections:

- The common sections provide general information, guidelines, and safety information required for servicing computers.
- The product-specific section includes service, reference, and product-specific parts information.

Important:

This manual is intended only for trained servicers who are familiar with Lenovo products. Use this manual to troubleshoot problems effectively.

Before servicing a Lenovo product, make sure to read all the information under “Safety information” on page 1 and “Important service information” on page 16.

Safety information

This chapter presents the following safety information that you need to get familiar with before you service a Lenovo YOGA 900S-12ISK computer:

- “General safety” on page 2
- “Electrical safety” on page 3
- “Safety inspection guide” on page 5
- “Handling devices that are sensitive to electrostatic discharge” on page 6
- “Grounding requirements” on page 6
- “Safety notices: multilingual translations” on page 7
- “Laser compliance statement” on page 14

General safety

Follow these rules below to ensure general safety:

- Observe a good housekeeping in the area where the machines are put during and after the maintenance.
- When lifting any heavy object:
 1. Make sure that you can stand safely without slipping.
 2. Distribute the weight of the object equally between your feet.
 3. Use a slow lifting force. Never move suddenly or twist when you attempt to lift it.
 4. Lift it by standing or pushing up with your leg muscles; this action could avoid the strain from the muscles in your back. Do not attempt to lift any object that weighs more than 16 kg (35 lb) or that you think is too heavy for you.
- Do not perform any action that causes hazards to the customer, or that makes the machine unsafe.
- Before you start the machine, make sure that other service representatives and the customer are not in a hazardous position.
- Please remove covers and other parts in a safe place, away from all personnel, while you are servicing the machine.
- Keep your toolcase away from walk areas so that other people will not trip over it.
- Do not wear loose clothing that can be trapped in the moving parts of the machine. Make sure that your sleeves are fastened or rolled up above your elbows. If your hair is long, fasten it.
- Insert the ends of your necktie or scarf inside clothing or fasten it with the nonconductive clip, about 8 centimeters (3 inches) from the end.
- Do not wear jewelry, chains, metal-frame eyeglasses, or metal fasteners for your clothing.

Attention: Metal objects are good electrical conductors.
- Wear safety glasses when you are hammering, drilling, soldering, cutting wire, attaching springs, using solvents, or working in any other conditions that may be hazardous to your eyes.
- After service, reinstall all safety shields, guards, labels, and ground wires. Replace any safety device that is worn or defective.
- Reinstall all covers correctly before returning the machine to the customer.
- Fan louvers on the machine help to prevent the overheating of internal components. Do not obstruct fan louvers or cover them with labels or stickers.

Electrical safety

Observe the following rules when working on electrical equipments.

Important:

Use only approved tools and test equipments. Some hand tools have handles covered with a soft material that does not insulate you when working with live electrical currents.

Many customers have rubber floor mats near their machines that contain small conductive fibers to decrease electrostatic discharges. Do not use such kind of mat to protect yourself from electrical shock.

- Find the room emergency power-off (EPO) switch, disconnecting switch or electrical outlet. If an electrical accident occurs, you can then operate the switch or unplug the power cord quickly.
- Do not work alone under hazardous conditions or near the equipment that has hazardous voltages.
- Disconnect all power before:
 - Performing a mechanical inspection
 - Working near power supplies
 - Removing or installing main units
- Before you start to work on the machine, unplug the power cord. If you cannot unplug it, ask the customer to power-off the wall box that supplies power to the machine, and to lock the wall box in the off position.
- If you need to work on a machine that has exposed electrical circuits, observe the following precautions:
 - Ensure that another person, familiar with the power-off controls, is near you.
Attention: Another person must be there to switch off the power, if necessary.
 - Use only one hand when working with powered-on electrical equipment; keep the other hand in your pocket or behind your back.
Attention: An electrical shock can occur only when there is a complete circuit. By observing the above rule, you may prevent a current from passing through your body.
 - When using testers, set the controls correctly and use the approved probe leads and accessories for that tester.
 - Stand on suitable rubber mats (obtained locally, if necessary) to insulate you from grounds such as metal floor strips and machine frames.

Observe the special safety precautions when you work with very high voltages; instructions for these precautions are in the safety sections of maintenance information. Be extremely careful when you measure the high voltages.

- Regularly inspect and maintain your electrical hand tools for safe operational condition.
- Do not use worn or broken tools and testers.
- Never assume that power has been disconnected from a circuit. First, check it to make sure that it has been powered off.

- Always look carefully for possible hazards in your work area. Examples of these hazards are moist floors, nongrounded power extension cables, power surges, and missing safety grounds.
- Do not touch live electrical circuits with the reflective surface of a plastic dental mirror. The surface is conductive; such touching can cause personal injury and machine damage.
- Do not service the following parts with the power on when they are removed from their normal operating places in a machine:
 - Power supply units
 - Pumps
 - Blowers and fans
 - Motor generatorsand similar units. (This practice ensures correct grounding of the units.)
- If an electrical accident occurs:
 - Caution: do not become a victim yourself.
 - Switch off the power.
 - Send the victim to get medical aid.

Safety inspection guide

The purpose of this inspection guide is to assist you in identifying potential unsafe conditions. As each machine was designed and built, required safety items were installed to protect users and service personnel from injury. This guide addresses only those items. You should use good judgment to identify potential safety hazards according to the attachment of non-Lenovo features or options not covered by this inspection guide.

If any unsafe conditions are present, you must determine how serious the apparent hazard could be and whether you can continue without first correcting the problem.

Consider these conditions and the safety hazards they present:

- Electrical hazards, especially primary power (primary voltage on the frame can cause serious or fatal electrical shock)
- Explosive hazards, such as a damaged CRT face or a bulging capacitor
- Mechanical hazards, such as loose or missing hardware

To determine whether there are any potential unsafe conditions, use the following checklist at the beginning of every service task. Begin the checks with the power off, and the power cord disconnected.

Checklist:

1. Check exterior covers for damage (loose, broken, or sharp edges).
2. Turn off the computer. Disconnect the power cord.
3. Check the power cord for:
 - a. A third-wire ground connector in good condition. Use a meter to measure third-wire ground continuity for 0.1 ohm or less between the external ground pin and the frame ground.
 - b. The power cord should be the type specified in the parts list.
 - c. Insulation must not be frayed or worn.
4. Check for cracked or bulging batteries.
5. Remove the cover.
6. Check for any obvious non-Lenovo alterations. Use good judgment as to the safety of any non-Lenovo alterations.
7. Check inside the unit for any obvious unsafe conditions, such as metal filings, contamination, water or other liquids, or signs of fire or smoke damage.
8. Check for worn, frayed, or pinched cables.
9. Check that the power-supply cover fasteners (screws or rivets) have not been removed or tampered with.

Handling devices that are sensitive to electrostatic discharge

Any computer part containing transistors or integrated circuits (ICs) should be considered sensitive to electrostatic discharge (ESD). ESD damage can occur when there is a difference in charge between objects. Protect against ESD damage by equalizing the charge so that the machine, the part, the work mat, and the person handling the part are all at the same charge.

Notes:

1. Use product-specific ESD procedures when they exceed the requirements noted here.
2. Make sure that the ESD protective devices you use have been certified (ISO 9000) as fully effective.

When handling ESD-sensitive parts:

- Keep the parts in protective packages until they are inserted into the product.
- Avoid contact with other people.
- Wear a grounded wrist strap against your skin to eliminate static on your body.
- Prevent the part from touching your clothing. Most clothing is insulative and retains a charge even when you are wearing a wrist strap.
- Use the black side of a grounded work mat to provide a static-free work surface. The mat is especially useful when handling ESD-sensitive devices.
- Select a grounding system, such as those listed below, to provide protection that meets the specific service requirement.

Note:

The use of a grounding system to guard against ESD damage is desirable but not necessary.

- Attach the ESD ground clip to any frame ground, ground braid, or green-wire ground.
- When working on a double-insulated or battery-operated system, use an ESD common ground or reference point. You can use coax or connector-outside shells on these systems.
- Use the round ground prong of the ac plug on ac-operated computers.

Grounding requirements

Electrical grounding of the computer is required for operator safety and correct system function. Proper grounding of the electrical outlet can be verified by a certified electrician.

Safety notices: multilingual translations

The safety notices in this section are provided in English, French, German, Hebrew, Italian, Japanese, and Spanish.

Safety notice 1

Before the computer is powered on after FRU replacement, make sure all screws, springs, and other small parts are in place and are not left loose inside the computer. Verify this by shaking the computer and listening for rattling sounds. Metallic parts or metal flakes can cause electrical shorts.

Avant de remettre l'ordinateur sous tension après remplacement d'une unité en clientèle, vérifiez que tous les ressorts, vis et autres pièces sont bien en place et bien fixées. Pour ce faire, secouez l'unité et assurez-vous qu'aucun bruit suspect ne se produit. Des pièces métalliques ou des copeaux de métal pourraient causer un court-circuit.

Bevor nach einem FRU-Austausch der Computer wieder angeschlossen wird, muß sichergestellt werden, daß keine Schrauben, Federn oder andere Kleinteile fehlen oder im Gehäuse vergessen wurden. Der Computer muß geschüttelt und auf Klappergeräusche geprüft werden. Metallteile oder-splitter können Kurzschlüsse erzeugen.

לפני הפעלת המחשב לאחר החלפת FRU יש לוודא שכל הברגים, הקפיצים, וחלקים קטנים אחרים נמצאים במקומם ואינם חופשיים לזוז בתוך המחשב. כדי לוודא זאת, יש ללטלט את המחשב ולהקשיב לגילוי קולות שקשוק. חלקי או שבבי ממתכת עלולים לגרום לקצרים חשמליים.

Prima di accendere l'elaboratore dopo che é stata effettuata la sostituzione di una FRU, accertarsi che tutte le viti, le molle e tutte le altri parti di piccole dimensioni siano nella corretta posizione e non siano sparse all'interno dell'elaboratore. Verificare ciò scuotendo l'elaboratore e prestando attenzione ad eventuali rumori; eventuali parti o pezzetti metallici possono provocare cortocircuiti pericolosi.

FRUの交換後、コンピュータの電源を入れる前に、ねじ、バネ、その他の小さな部品がすべて正しい位置にあり、またコンピュータの内部で緩んでいないことを確認してください。これを確認するには、コンピュータを振って、カチャカチャと音がしないか確かめます。金属部品や金属破片はショートの原因になることがあります。

Antes de encender el sistema despues de sustituir una FRU, compruebe que todos los tornillos, muelles y demás piezas pequeñas se encuentran en su sitio y no se encuentran sueltas dentro del sistema. Compruébelo agitando el sistema y escuchando los posibles ruidos que provocarían. Las piezas metálicas pueden causar cortocircuitos eléctricos.

Safety notice 2

DANGER

Some standby batteries contain a small amount of nickel and cadmium. Do not disassemble a standby battery, recharge it, throw it into fire or water, or short-circuit it. Dispose of the battery as required by local ordinances or regulations. Use only the battery in the appropriate parts listing. Use of an incorrect battery can result in ignition or explosion of the battery.

Certaines batteries de secours contiennent du nickel et du cadmium. Ne les démontez pas, ne les rechargez pas, ne les exposez ni au feu ni à l'eau. Ne les mettez pas en court-circuit. Pour les mettre au rebut, conformez-vous à la réglementation en vigueur. Lorsque vous remplacez la pile de sauvegarde ou celle de l'horloge temps réel, veillez à n'utiliser que les modèles cités dans la liste de pièces détachées adéquate. Une batterie ou une pile inappropriée risque de prendre feu ou d'exploser.

Die Bereitschaftsbatterie, die sich unter dem Diskettenlaufwerk befindet, kann geringe Mengen Nickel und Cadmium enthalten. Sie darf nicht zerlegt, wiederaufgeladen, kurzgeschlossen, oder Feuer oder Wasser ausgesetzt werden. Bei der Entsorgung die örtlichen Bestimmungen für Sondermüll beachten. Beim Ersetzen der Bereitschafts- oder Systembatterie nur Batterien des Typs verwenden, der in der Ersatzteilliste aufgeführt ist. Der Einsatz falscher Batterien kann zu Entzündung oder Explosion führen.

סוללות המתנה מסוימות מכילות כמות קטנה של ניקל וקדמיום. אין לפרק סוללת המתנה, לטעון אותה מחדש, להשליך אותה לאש או למים או לקצר אותה. יש לשלוק את הסוללה כנדרש על ידי התקנות והחוקים המקומיים. יש להשתמש רק בסוללה המומינה ברשימת החלקים המתאימה. שימוש בסוללה לא מתאימה עלול לגרום להצתה או התפוצצות של הסוללה.

Alcune batterie di riserva contengono una piccola quantità di nichel e cadmio. Non smontarle, ricaricarle, gettarle nel fuoco o nell'acqua né cortocircuitarle. Smaltirle secondo la normativa in vigore (DPR 915/82, successive disposizioni e disposizioni locali). Quando si sostituisce la batteria dell'RTC (real time clock) o la batteria di supporto, utilizzare soltanto i tipi inseriti nell'appropriato Catalogo parti. L'impiego di una batteria non adatta potrebbe determinare l'incendio o l'esplosione della batteria stessa.

予備バッテリーの中には少量のニッケルとカドミウムが含まれているものがあります。したがって、予備バッテリーの分解、再充電、火または水の中への投棄、またはショートさせることは決して行わないでください。バッテリーを廃棄する場合は地方自治体の条例に従ってください。適切なパーツ・リストにあるバッテリーだけを使用してください。誤ったバッテリーを使用すると、バッテリーが発火したり、爆発したりすることがあります。

Algunas baterías de reserva contienen una pequeña cantidad de níquel y cadmio. No las desmonte, ni recargue, ni las eche al fuego o al agua ni las cortocircuite. Deséchelas tal como dispone la normativa local. Utilice sólo baterías que se encuentren en la lista de piezas. La utilización de una batería no apropiada puede provocar la ignición o explosión de la misma.

Safety notice 3**⚠ DANGER**

The battery pack contains small amounts of nickel. Do not disassemble it, throw it into fire or water, or short-circuit it. Dispose of the battery pack as required by local ordinances or regulations. Use only the battery in the appropriate parts listing when replacing the battery pack. Use of an incorrect battery can result in ignition or explosion of the battery.

La batterie contient du nickel. Ne la démontez pas, ne l'exposez ni au feu ni à l'eau. Ne la mettez pas en court-circuit. Pour la mettre au rebut, conformez-vous à la réglementation en vigueur. Lorsque vous remplacez la batterie, veillez à n'utiliser que les modèles cités dans la liste de pièces détachées adéquate. En effet, une batterie inappropriée risque de prendre feu ou d'exploser.

Akkus enthalten geringe Mengen von Nickel. Sie dürfen nicht zerlegt, wiederaufgeladen, kurzgeschlossen, oder Feuer oder Wasser ausgesetzt werden. Bei der Entsorgung die örtlichen Bestimmungen für Sondermüll beachten. Beim Ersetzen der Batterie nur Batterien des Typs verwenden, der in der Ersatzteilliste aufgeführt ist. Der Einsatz falscher Batterien kann zu Entzündung oder Explosion führen.

מארו הסוללה מכיל כמות קטנה של ניקל וקדמיום. אין לפרק את מארו הסוללה, להשליך אותו לאש או למים או לקצר אותו. יש לטילק את מארו הסוללה הסוללה כנדרש על ידי התקנות והחוקים המקומיים. יש להשתמש רק בסוללה המומייעה ברשימת החלקים המתאימה בזמן החלפת מארו הסוללה. שימוש בסוללה לא מתאימה עלול לגרום להצתה או התפוצצות של הסוללה.

La batteria contiene piccole quantità di nichel. Non smontarla, gettarla nel fuoco o nell'acqua né cortocircuitarla. Smaltirla secondo la normativa in vigore (DPR 915/82, successive disposizioni e disposizioni locali). Quando si sostituisce la batteria, utilizzare soltanto i tipi inseriti nell'appropriato Catalogo parti. L'impiego di una batteria non adatta potrebbe determinare l'incendio o l'esplosione della batteria stessa.

バッテリー・パックには少量のニッケルが含まれています。バッテリー・パックを分解したり、火または水の中に投げ込んだり、ショートさせないでください。バッテリー・パックの廃棄にあたっては、地方自治体の条例または規則に従ってください。バッテリー・パックを交換するときは、適切なパーツ・リストにあるバッテリーだけを使用してください。誤ったバッテリーを使用すると、バッテリーが発火したり、爆発したりすることがあります。

Las baterías contienen pequeñas cantidades de níquel. No las desmonte, ni recargue, ni las eche al fuego o al agua ni las cortocircuite. Deséchelas tal como dispone la normativa local. Utilice sólo baterías que se encuentren en la lista de piezas al sustituir la batería. La utilización de una batería no apropiada puede provocar la ignición o explosión de la misma.

Safety notice 4

DANGER

The lithium battery can cause a fire, an explosion, or a severe burn. Do not recharge it, remove its polarized connector, disassemble it, heat it above 100°C (212°F), incinerate it, or expose its cell contents to water. Dispose of the battery as required by local ordinances or regulations. Use only the battery in the appropriate parts listing. Use of an incorrect battery can result in ignition or explosion of the battery.

La pile de sauvegarde contient du lithium. Elle présente des risques d'incendie, d'explosion ou de brûlures graves. Ne la rechargez pas, ne retirez pas son connecteur polarisé et ne la démontez pas. Ne l'exposez pas à une température supérieure à 100°C, ne la faites pas brûler et n'en exposez pas le contenu à l'eau. Mettez la pile au rebut conformément à la réglementation en vigueur. Une pile inappropriée risque de prendre feu ou d'exploser.

Die Systematterie ist eine Lithiumatterie. Sie kann sich entzünden, explodieren oder schwere Verbrennungen hervorrufen. Batterien dieses Typs dürfen nicht aufgeladen, zerlegt, über 100 C erhitzt oder verbrannt werden. Auch darf ihr Inhalt nicht mit Wasser in Verbindung gebracht oder der zur richtigen Polung angebrachte Verbindungsstecker entfernt werden. Bei der Entsorgung die örtlichen Bestimmungen für Sondermüll beachten. Beim Ersetzen der Batterie nur Batterien des Typs verwenden, der in der Ersatzteilliste aufgeführt ist. Der Einsatz falscher Batterien kann zu Entzündung oder Explosion führen.

סוללת הליתיום עלולה לגרום לשריפה, להתפוצצות או לכוויות קשות. אין לטעון אותה מחדש, לטלוק את המחבר המקוטב שלה, לפרק אותה או לחמם אותה לטמפרטורה העולה על 100 מעלות צלזיוס. אין לשרוף את הסוללה ואין לחשוף את תוכן התא למים. יש לטלוק את הסוללה כנדרש בתקנות ובחוקים המקומיים. יש להשתמש רק בסוללה המופיעה ברשימת החלקים המתאימים. שימוש בסוללה אחרת עלול לגרום לשריפת או התפוצצות.

La batteria di supporto e una batteria al litio e puo incendiarsi, esplodere o procurare gravi ustioni. Evitare di ricaricarla, smontarne il connettore polarizzato, smontarla, riscaldarla ad una temperatura superiore ai 100 gradi centigradi, incendiarla o gettarla in acqua. Smaltirla secondo la normativa in vigore (DPR 915/82, successive disposizioni e disposizioni locali). L'impiego di una batteria non adatta potrebbe determinare l'incendio o l'esplosione della batteria stessa.

リチウム・バッテリーは、火災、爆発、または重症のやけどを引き起こすことがあります。バックアップ・バッテリーの充電、その極性コネクタの取り外し、バッテリー本体の分解、100°C (212°F) 以上への加熱、焼却、電池の中身を水に浸すことはしないでください。バッテリーを廃棄する場合は地方自治体の条例に従ってください。適切なパーツ・リストにあるバッテリーだけを使用してください。誤ったバッテリーを使用すると、バッテリーが発火したり、爆発したりすることがあります。

La batería de repuesto es una batería de litio y puede provocar incendios, explosiones o quemaduras graves. No la recargue, ni quite el conector polarizado, ni la desmonte, ni caliente por encima de los 100°C (212°F), ni la incinere ni exponga el contenido de sus celdas al agua. Deséchela tal como dispone la normativa local.

Safety notice 5

If the LCD breaks and the fluid from inside the LCD gets into your eyes or on your hands, immediately wash the affected areas with water at least for 15 minutes. Seek medical care if any symptoms caused by the fluid are present after washing.

Si le panneau d'affichage à cristaux liquides se brise et que vous recevez dans les yeux ou sur les mains une partie du fluide, rincez-les abondamment pendant au moins quinze minutes. Consultez un médecin si des symptômes persistent après le lavage.

Die Leuchtstoffröhre im LCD-Bildschirm enthält Quecksilber. Bei der Entsorgung die örtlichen Bestimmungen für Sondermüll beachten. Der LCD-Bildschirm besteht aus Glas und kann zerbrechen, wenn er unsachgemäß behandelt wird oder der Computer auf den Boden fällt. Wenn der Bildschirm beschädigt ist und die darin befindliche Flüssigkeit in Kontakt mit Haut und Augen gerät, sollten die betroffenen Stellen mindestens 15 Minuten mit Wasser abgespült und bei Beschwerden anschließend ein Arzt aufgesucht werden.

אם מסך הנביש הנוזלי (LCD) נשבר והנוזל מתוך המסך בא במגע עם עיניכם או ידיכם, שטפו את האזורים הנגועים מיד במים במשך 15 דקות לפחות. מני לקבלת עזרה רפואית אם הסמנים הנובעים מהמגע עם הנוזל נמשכים לאחר הטיחה.

Nel caso che caso l'LCD si dovesse rompere ed il liquido in esso contenuto entrasse in contatto con gli occhi o le mani, lavare immediatamente le parti interessate con acqua corrente per almeno 15 minuti; poi consultare un medico se i sintomi dovessero permanere.

LCD が破損し、LCD の中の液体が目に入ったり、手に触れたりした場合は、液体が触れた部分を少なくとも 15 分間洗い流してください。洗い流した後に、液体によって何らかの症状が現れた場合は、医師の治療を受けてください。

Si la LCD se rompe y el fluido de su interior entra en contacto con sus ojos o sus manos, lave inmediatamente las áreas afectadas con agua durante 15 minutos como mínimo. Obtenga atención medica si se presenta algún sintoma del fluido despues de lavarse.

Safety notice 6

⚠ DANGER

To avoid shock, do not remove the plastic cover that protects the lower part of the inverter card.

Afin d'éviter tout risque de choc électrique, ne retirez pas le cache en plastique protégeant la partie inférieure de la carte d'alimentation.

Aus Sicherheitsgründen die Kunststoffabdeckung, die den unteren Teil der Spannungswandlerplatine umgibt, nicht entfernen.

כדי למנוע התחשמלות, אין להסיר את מכסה הפלסטיק המגן על חלקו התחתון של הכרטיס המפזר.

Per evitare scosse elettriche, non rimuovere la copertura in plastica che avvolge la parte inferiore della scheda invertitore.

感電を防ぐため、インバーター・カードの下部を保護しているプラスチック・カバーを外さないでください。

Para evitar descargas, no quite la cubierta de plástico que rodea la parte baja de la tarjeta invertida.

Safety notice 7

⚠ DANGER

Though the main batteries have low voltage, a shorted or grounded battery can produce enough current to burn personnel or combustible materials.

Bien que le voltage des batteries principales soit peu élevé, le court-circuit ou la mise à la masse d'une batterie peut produire suffisamment de courant pour brûler des matériaux combustibles ou causer des brûlures corporelles graves.

Obwohl Hauptbatterien eine niedrige Spannung haben, können sie doch bei Kurzschluß oder Erdung genug Strom abgeben, um brennbare Materialien zu entzünden oder Verletzungen bei Personen hervorzurufen.

אף שהסוללות הראשיות הן בעלות מתח נמוך, סוללה מקוצרת או מוארקת עלולה להפיק זרם מספיק לגרימת כוויות או להצתת חומרים דליקים.

Sebbene le batterie di alimentazione siano a basso voltaggio, una batteria in corto circuito o a massa può fornire corrente sufficiente da bruciare materiali combustibili o provocare ustioni ai tecnici di manutenzione.

メイン・バッテリーの電圧は低くても、ショートしたり、接地したバッテリーが、作業者にやけどを負わせたり、可燃物を燃やすだけの電流を発生させる場合があります。

Aunque las baterías principales tienen un voltaje bajo, una batería cortocircuitada o con contacto a tierra puede producir la corriente suficiente como para quemar material combustible o provocar quemaduras en el personal.

Safety notice 8

DANGER

Before removing any FRU, turn off the computer, unplug all power cords from electrical outlets, remove the battery pack, and then disconnect any interconnecting cables.

Avant de retirer une unité remplaçable en clientèle, mettez le système hors tension, débranchez tous les cordons d'alimentation des socles de prise de courant, retirez la batterie et déconnectez tous les cordons d'interface.

Die Stromzufuhr muß abgeschaltet, alle Stromkabel aus der Steckdose gezogen, der Akku entfernt und alle Verbindungskabel abgenommen sein, bevor eine FRU entfernt wird.

למני סילוק FRU כלשהו, יש לכבות את המחשב,
לנתק את כל כבלי החשמל משקעני החשמל, להוציא
את מטריז הסוללה, ואז לנתק כבלי חיבור אחרים
אם יש כאלה.

Prima di rimuovere qualsiasi FRU, spegnere il sistema, scollegare dalle prese elettriche tutti i cavi di alimentazione, rimuovere la batteria e poi scollegare i cavi di interconnessione.

FRU を取り外す前に、ThinkPad の電源を切って、すべての電源コードをコンセントから外してください。次に、バッテリー・パックを外し、相互接続ケーブルを外してください。

Antes de quitar una FRU, apague el sistema, desenchufe todos los cables de las tomas de corriente eléctrica, quite la batería y, a continuación, desconecte cualquier cable de conexión entre dispositivos.

Laser compliance statement

Some models of Lenovo computer are equipped from the factory with an optical storage device such as a CD-ROM drive or a DVD-ROM drive. Such devices are also sold separately as options. If one of these drives is installed, it is certified in the U.S. to conform to the requirements of the Department of Health and Human Services 21 Code of Federal Regulations (DHHS 21 CFR) Subchapter J for Class 1 laser products. Elsewhere, the drive is certified to conform to the requirements of the International Electrotechnical Commission (IEC) 825 and CENELEC EN 60 825 for Class 1 laser products.

If a CD-ROM drive, a DVD-ROM drive, or another laser device is installed, note the following:

CAUTION

Use of controls or adjustments or performance of procedures other than those specified herein might result in hazardous radiation exposure.

O uso de controles, ajustes ou desempenho de procedimentos diferentes daqueles aqui especificados pode resultar em perigosa exposição à radiação.

凡未在这里指明的任何控制用法、调整、行为，都会导致严重后果。

Pour éviter tout risque d'exposition au rayon laser, respectez les consignes de réglage et d'utilisation des commandes, ainsi que les procédures décrites.

Werden Steuer- und Einstellelemente anders als hier festgesetzt verwendet, kann gefährliche Laserstrahlung auftreten.

Az itt előírt eljárásoktól, beállítástól és vezérlésektől eltérni a lézersugárzás veszélye miatt kockázatos!

L'utilizzo di controlli, regolazioni o l'esecuzione di procedure diverse da quelle specificate possono provocare l'esposizione a.

Использование элементов настройки и выполнение процедур иных, чем указано здесь, может привести к опасному радиационному облучению.

Použitie kontrol, úprav alebo iných vykonaní od iných výrobcov, ako je v tomto špecifikované, mohlo by mať za následok nebezpečenstvo vystavenia sa vyžiarovaniu.

本書で指定された内容以外の、お客様による整備、調整、または手順を行った場合、レーザー光の放射の危険があります。

El uso de controles o ajustes o la ejecución de procedimientos distintos de los aquí especificados puede provocar la exposición a radiaciones peligrosas.

Opening the CD-ROM drive, the DVD-ROM drive, or any other optical storage device could result in exposure to hazardous laser radiation. There are no serviceable parts inside those drives. **Do not open.**

A CD-ROM drive, a DVD-ROM drive, or any other storage device installed may contain an embedded Class 3A or Class 3B laser diode. Note the following:

⚠ DANGER

Emits visible and invisible laser radiation when open. Do not stare into the beam, do not view directly with optical instruments, and avoid direct exposure to the beam.

Radiação por raio laser ao abrir. Não olhe fixo no feixe de luz, não olhe diretamente por meio de instrumentos óticos e evite exposição direta com o feixe de luz.

开启时会有激光发射时，请勿直视激光光束，请勿直接查看视觉仪器，并且避免直接接触在激光光束之中。

Rayonnement laser si carter ouvert. Évitez de fixer le faisceau, de le regarder directement avec des instruments optiques, ou de vous exposer au rayon.

Laserstrahlung bei geöffnetem Gerät. Nicht direkt oder über optische Instrumente in den Laserstrahl sehen und den Strahlungsbereich meiden.

Kinyitáskor lézersugár ! Ne nézzen bele se szabad szemmel, se optikai eszközökkel. Kerülje a sugárnyalábbal való érintkezést!

Apriendo l'unità vengono emesse radiazioni laser. Non fissare il fascio, non guardarlo direttamente con strumenti ottici e evitare l'esposizione diretta al fascio.

Открывая, берегитесь лазерного излучения.

Не смотрите на луч, не разглядывайте его с помощью оптических инструментов, а также избегайте прямого воздействия лазерного луча.

Keď je laserová jednotka otvorená. Vyhňte sa priamemu pohľadu a neľhajte priamo s optickými nástrojmi do lúča a vyhňte sa priamemu vystaveniu lúčov.

開けるとレーザー光が放射されます。光線を見つめたり、光学機械を使って直接見たりしないでください。

Radiación láser al abrir. No mire fijamente ni examine con instrumental óptico el haz de luz. Evite la exposición directa al haz.

Important service information

This chapter presents the following important service information:

- “Strategy for replacing FRUs” on page 16
 - “Strategy for replacing a hard disk drive” on page 17
 - “Important notice for replacing a system board” on page 17
- “Important information about replacing RoHS compliant FRUs” on page 18

Important:

BIOS and device driver fixes are customer-installable. The BIOS and device drivers are posted on the customer support site:

<http://support.lenovo.com>.

Strategy for replacing FRUs

Before replacing parts:

Make sure that all software fixes, drivers, and BIOS downloads are installed before replacing any FRUs listed in this manual.

After a system board is replaced, ensure that the latest BIOS is loaded to the system board before completing the service action.

To download software fixes, drivers, and BIOS, follow the steps below:

1. Go to <http://support.lenovo.com>.
2. Enter the serial number or select a product or use Lenovo smart downloading.
3. Select the BIOS/Driver/Applications and download.
4. Follow the directions on the screen and install the necessary software.

Use the following strategy to prevent unnecessary expense for replacing and servicing FRUs:

- If you are instructed to replace an FRU, but the replacement does not solve the problem, reinstall the original FRU before you continue.
- Some computers have both a processor board and a system board. If you are instructed to replace either of them, and replacing one of them does not solve the problem, reinstall that board, and then replace the other one.
- If an adapter or a device consists of more than one FRU, any of the FRUs may be the cause of the error. Before replacing the adapter or device, remove the FRUs one by one to see if the symptoms change. Replace only the FRU that changed the symptoms.

Attention: The setup configuration on the computer you are servicing may have been customized. Running Automatic Configuration may alter the settings. Note the current configuration settings (using the View Configuration option); then, when service has been completed, verify that those settings remain in effect.

Strategy for replacing a hard disk drive

Always try to run a low-level format before replacing a hard disk drive. This will cause all customer data on the hard disk to be lost. Make sure that the customer has a current backup of the data before performing this action.

Attention: The drive startup sequence in the computer you are servicing may have been changed. Be extremely careful during write operations such as copying, saving, or formatting. If you select an incorrect drive, data or programs can be overwritten.

Important notice for replacing a system board

Some components mounted on a system board are very sensitive. Improper handling can cause damage to those components, and may cause a system malfunction.

Attention: When handling a system board:

- Do not drop the system board or apply any excessive force to it.
- Avoid rough handling of any kind.
- Avoid bending the system board and hard pushing to prevent cracking at each BGA (Ball Grid Array) chipset.

Important information about replacing RoHS compliant FRUs

RoHS, The Restriction of Hazardous Substances in Electrical and Electronic Equipment Directive (2002/95/EC) is a European Union legal requirement affecting the global electronics industry. RoHS requirements must be implemented on Lenovo products placed on the market after June 2006. Products on the market before June 2006 are not required to have RoHS compliant parts. If the original FRU parts are non-compliant, replacement parts can also be non-compliant. In all cases if the original FRU parts are RoHS compliant, the replacement part must also be RoHS compliant.

Note: RoHS and non-RoHS FRU part numbers with the same fit and function are identified with unique FRU part numbers.

Lenovo plans to transit to RoHS compliance well before the implementation date and expects its suppliers to be ready to support Lenovo's requirements and schedule in the EU. Products sold in 2005 and 2006 will contain some RoHS compliant FRUs. The following statement pertains to these products and any product Lenovo produces containing RoHS compliant FRUs.

RoHS compliant FRUs have unique FRU part numbers. Before or after the RoHS implementation date, failed RoHS compliant parts must always be replaced with RoHS compliant ones, so only the FRUs identified as compliant in the system HMM or direct substitutions for those FRUs may be used.

Products marketed before June 2006		Products marketed after June 2006	
Current or original part	Replacement FRU	Current or original part	Replacement FRU
Non-RoHS	Can be Non-RoHS	Must be RoHS	Must be RoHS
Non-RoHS	Can be RoHS		
Non-RoHS	Can sub to RoHS		
RoHS	Must be RoHS		

Note: A direct substitution is a part with a different FRU part number that is automatically shipped by the distribution center at the time of the order.

General checkout

This chapter presents the following information:

- “What to do first” on page 20
- “Power system checkout” on page 21

Before you go to the checkout, make sure to read the following important notes:

Important notes:

- **Only certified trained personnel can service the computer.**
- **Before replacing any FRU, read the entire page on removing and replacing FRUs.**
- **Carefully remove screws for reuse when replacing FRUs.**
- **Be extremely careful during such write operations as copying, saving, or formatting.** Drives in the computer that you are servicing sequence might have been altered. If you select an incorrect drive, data or programs might be overwritten.
- **Replace an FRU only with another FRU of the correct model.** When you replace an FRU, make sure that the machine model and the FRU part number are correct by referring to the FRU parts list.
- **An FRU should not be replaced just because of a single, unreproducible failure.** Single failures can occur for a variety of reasons that have nothing to do with a hardware defect, such as cosmic radiation, electrostatic discharge, or software errors. Consider replacing an FRU only when a problem recurs. If you suspect that an FRU is defective, clear the error logs and run the test again. If the error does not recur, do not replace the FRU.
- **Be careful not to replace a nondefective FRU.**

What to do first

When you do return an FRU, you must include the following information in the parts exchange form or parts return form that you attach to it:

1. Name and phone number of servicer
2. Date of service
3. Date on which the machine failed
4. Date of purchase
5. Procedure index and page number in which the failing FRU was detected
6. Failing FRU name and part number
7. Machine type, model number, and serial number
8. Customer's name and address

Note for warranty: During the warranty period, the customer may be responsible for repair costs if the computer damage was caused by misuse, accident, modification, unsuitable physical or operating environment, or improper maintenance by the customer.

The following is a list of some common items that are not covered under warranty and some symptoms that might indicate that the system was subjected to stress beyond normal use.

Before checking problems with the computer, determine whether the damage is covered under the warranty by referring to the following list:

The following are not covered under warranty:

- LCD panel cracked from the application of excessive force or from being dropped
- Scratched (cosmetic) parts
- Distortion, deformation, or discoloration of the cosmetic parts
- Plastic parts, latches, pins, or connectors that have been cracked or broken by excessive force
- Damage caused by liquid spilled into the system
- Damage caused by the improper insertion of a PC Card or the installation of an incompatible card
- Improper disk insertion or use of an optical drive
- Diskette drive damage caused by pressure on the diskette drive cover, foreign material in the drive, or the insertion of a diskette with multiple labels
- Damaged or bent diskette eject button
- Fuses blown by attachment of a nonsupported device
- Forgotten computer password (making the computer unusable)
- Sticky keys caused by spilling a liquid onto the keyboard
- Use of an incorrect AC adapter on laptop products

The following symptoms might indicate damage caused by nonwarranted activities:

- Missing parts might be a symptom of unauthorized service or modification.
- If the spindle of a hard disk drive becomes noisy, it may have been subjected to excessive force, or dropped.

Power system checkout

To verify a symptom, follow the steps below:

1. Turn off the computer.
2. Connect the AC adapter.
3. Make sure that power is supplied when you turn on the computer.
4. Turn off the computer.
5. Disconnect the AC adapter.
6. Make sure that the battery pack supplies power when you turn on the computer.

If you suspect a power problem, see the appropriate power supply checkout:

- “Checking the AC adapter” on page 21
- “Checking operational charging” on page 21

Checking the AC adapter

You are here because the computer fails only when the AC adapter is used.

- If the power-on indicator does not turn on, check the power cord of the AC adapter for correct continuity and installation.
- If the computer does not charge during operation, go to “Checking operational charging”.

To check the AC adapter, follow the steps below:

1. Unplug the AC adapter cable from the computer.
2. Measure the output voltage at the plug of the AC adapter cable. See the following figure:



Pin	Voltage (V DC)
1	+20
2	0

Note: Output voltage for the AC adapter pin No. 2 may differ from the one you are servicing.

3. If the voltage is not correct, replace the AC adapter.
4. If the voltage is acceptable, do the following:
 - Replace the system board.
 - If the problem persists, go to “Lenovo YOGA 900S-12ISK” on page 27.

Note: Noise from the AC adapter does not always indicate a defect.

Checking operational charging

To check whether the battery charges properly during operation, use a discharged battery pack or a battery pack that has less than 50% of the total power remaining when installed in the computer.

Perform operational charging. If the battery status indicator or icon is not lit, remove the battery pack and let it return to room temperature. Reinstall the battery pack. If the charge indicator or icon is still off, replace the battery pack.

If the charge indicator is still not lit, replace the system board.

Related service information

This chapter presents the following information:

- “Restoring the factory contents by using OneKey Recovery” on page 23
- “Passwords” on page 24
- “Power management” on page 25

Restoring the factory contents by using OneKey Recovery

Restore of factory default

The Lenovo YOGA 900S-12ISK computer comes with pre-installed OneKey Recovery System. In order to save application files and the initial backed up files of the system, the hard disk in a Lenovo computer includes a hidden partition when it is shipped. If you need to restore the system to the point of your first boot up, just enter Lenovo OneKey Recovery System and run **System Recovery**. For details of OneKey Recovery System, see *the User Guide for Lenovo OneKey Recovery system*.

Note: This will delete all the new data on the system partition (C drive), which is not recoverable. Make sure to back up your critical data before you perform this action.

Passwords

As many as three passwords may be needed for any Lenovo computer: the power-on password (POP), the hard disk password (HDP), and the supervisor password.

If any of these passwords has been set, a prompt for it appears on the screen whenever the computer is turned on. The computer does not start until the password is entered.

Power-on password

A power-on password (POP) protects the system from being powered on by an unauthorized person. The password must be entered before an operating system can be booted.

Hard-disk password

There are two hard-disk passwords (HDPs):

- + User HDP - for the user

- + Master HDP - for the system administrator, who can use it to get access to the hard disk drive even if the user has changed the user HDP

Attention: If the user HDP has been forgotten, check whether a master HDP has been set. If it has, it can be used for access to the hard disk drive. If no master HDP is available, neither Lenovo nor Lenovo authorized service technicians provide any services to reset either the user or the master HDP, or to recover data from the hard disk drive. The hard disk drive can be replaced for a scheduled fee.

Supervisor password

A supervisor password protects the system information stored in the BIOS. The user must enter the supervisor password to get access to the BIOS and change the system configuration.


Attention: If you forget the password, there is no service procedure to reset the password. The system board must be replaced for a scheduled fee.

Power management

Note: Power management modes are not supported for an APM operating system.

To reduce power consumption, the computer has two power management modes: screen blank and sleep (standby).

Screen blank state

If the time set on the “Turn off monitor” timer in the operating system expires, the LCD backlight turns off. You can also turn off the LCD backlight by pressing .

To end screen blank state and resume normal operation, press .

Putting the computer to sleep or shutting it down


When you have finished working with your computer, you can put it to sleep or shut it down.

Putting your computer to sleep

If you will be away from your computer for only a short time, put the computer to sleep.

When the computer is in sleep mode, you can quickly wake it to resume use, bypassing the startup process.

To put the computer to sleep, do one of the following:

- Close the display lid.
- Press the power button.
- Select the Start button, then select **Power**  → **Sleep**.


Note: Put your computer to sleep before you move it. Moving your computer while the hard disk drive is spinning can damage the hard disk, causing loss of data.

To wake the computer, do one of the following:

- Press any key on the keyboard.
- Press the power button.
- Press the Windows button.

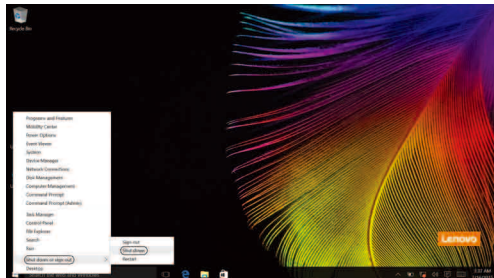
Shutting down the computer

If you are not going to use your computer for a long time, shut it down. To shut down your computer, do one of the following:

- Select the Start button, then select **Power**  → **Shut down**.



- Right-click or press the Start button in the lower-left corner and select **Shut down or sign out** → **Shut down**.



Lenovo YOGA 900S-12ISK

This chapter presents the following product-specific service references and product-specific parts information:

- “Specifications” on page 27
- “Status indicators” on page 29
- “Fn key combinations” on page 30
- “FRU replacement notices” on page 31
- “Removing and replacing an FRU” on page 32
- “Locations” on page 56
- “Parts list” on page 58

Specifications

The following table lists the specifications of the Lenovo YOGA 900S-12ISK:

Table 1. Specifications

Form Factor	
Dimensions	Appr. 305 mm × 208 mm × 12.8 mm
Weight	Appr. 1.0 kg
LCD size	12.5-inch
Processor	
See the system properties of your computer, you can do this as follows: Click Control Panel , then click Hardware and Sound , click Device Manager under Devices and Printers and double click Processors .	
Memory	
Type and speed	LPDDR3-1600MHz
Maximum supported capacity	8 GB
SSD	
Capacity	128 G/256 G/512 G
Interface	PCIe

Table 1. Specifications (continued)

Display	
Display resolution (LCD)	16:9 (1,920 × 1,080 pixels/2,560 × 1,440 pixels)
Touch Screen	Multi-touch screen
LCD backlight	LED
I/O Ports	
USB	USB 3.0 × 1
Audio	Combo audio jack × 1
Type-C	Type-C (USB/DP) × 1
Battery pack	
Type	Li-Polymer
Cells/Capacity	4 cells, 53 W
AC power adapter	
Input	100-240 V, 50-60 Hz AC
Output voltage	20 V DC
Power	40 W
Miscellaneous	
Camera	720P HD

Status indicators

The system status indicators below show the computer status:

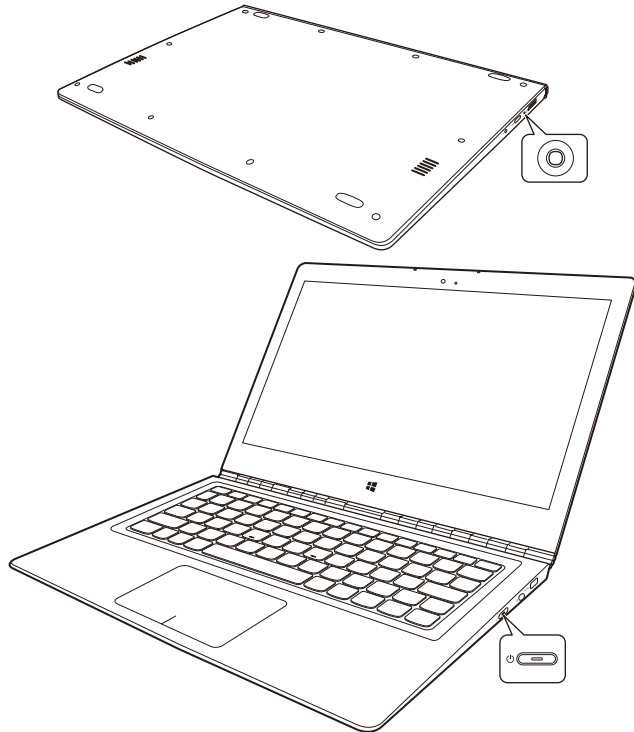


Table 2. Status indicators

Indicator	Indicator status	Meaning
Battery status indicator	On (solid white)	The battery has more than 20% charge.
	Solid amber	The battery has between 5% and 20% charge.
	Fast blinking amber	The battery has less than 5% charge.
	Slow blinking amber	The battery is being charged. When battery charge reaches 20%, the blinking color changes to white.
	Slow blinking white	The battery has between 20% and 80% charge and is still charging. When the battery reaches 80% charge the light will stop blinking, but charging will continue until the battery is fully charged.
Power status indicator	On (solid white)	The computer is powered on.
	Off	The computer is in sleep mode or turned off, and the AC power adapter is unplugged.

Fn key combinations

The following table describes the functions of Fn key combinations.

Table 3. Function key combinations

Fn + Esc:	Switches to paper display mode.
Fn + Space (on select models):	Adjusts the keyboard backlight (enable → dim → disable).

FRU replacement notices

This section presents notices related to removing and replacing parts. Read this section carefully before replacing any FRU.

Screw notices

Loose screws can cause a reliability problem. In the Lenovo computer, this problem is addressed with special nylon-coated screws that have the following characteristics:

- They maintain tight connections.
- They do not easily come loose, even with shock or vibration.
- They are harder to tighten.

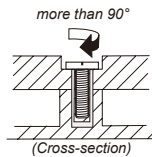
Do the following when you service this machine:

- Keep the screw kit in your tool bag.
- Carefully remove screws for reuse when replacing FRUs.
- Use a torque screwdriver if you have one.

Tighten screws as follows:

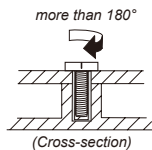
- **Plastic to plastic**

Turn an additional 90° after the screw head touches the surface of the plastic part:



- **Logic card to plastic**

Turn an additional 180° after the screw head touches the surface of the logic card:



- **Torque driver**

If you have a torque screwdriver, refer to the "Torque" column for each step.

- Make sure that you use the correct screws. If you have a torque screwdriver, tighten all screws firmly to the torque shown in the table. **Carefully remove screws for reuse when replacing FRUs. Make sure that all screws are tightened firmly.**
- Ensure torque screwdrivers are calibrated correctly following country specifications.

Removing and replacing an FRU

This section presents exploded figures with the instructions to indicate how to remove and replace the FRU. Make sure to observe the following general rules:

1. Do not attempt to service any computer unless you have been trained and certified. An untrained person runs the risk of damaging parts.
2. Before replacing any FRU, review “FRU replacement notices” on page 31.
3. Begin by removing any FRUs that have to be removed before the failing FRU. Any of such FRUs are listed at the top of the page. Remove them in the order in which they are listed.
4. Follow the correct sequence in the steps to remove the FRU, as given in the figures by the numbers in square callouts.
5. When turning a screw to replace an FRU, turn it in the direction as given by the arrow in the figure.
6. When removing the FRU, move it in the direction as given by the arrow in the figure.
7. To put the new FRU in place, reverse the removal procedures and follow any of the notes that pertain to replacement. For information about connecting and arranging internal cables, see “Locations” on page 58.
8. When replacing an FRU, use the correct screw as shown in the procedures.

⚠ DANGER

Before removing any FRU, turn off the computer, unplug all power cords from electrical outlets, remove the battery pack, and then disconnect any of the interconnecting cables.

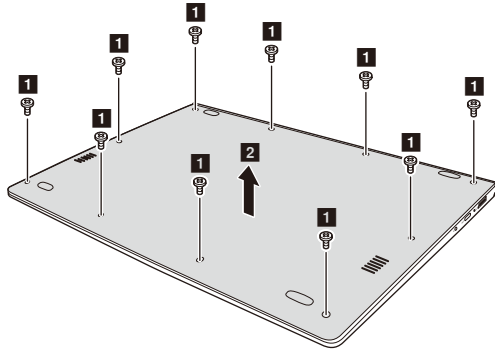
Attention: After replacing an FRU, do not turn on the computer until you have made sure that all screws, springs, and other small parts are in place and none are loose inside the computer. Verify this by shaking the computer gently and listening for rattling sounds. Metallic parts or metal flakes can cause electrical short circuits.

Attention: The system board is sensitive to, and can be damaged by, electrostatic discharge. Before touching it, establish personal grounding by touching a ground point with one hand or using an electrostatic discharge (ESD) strap (P/N 6405959) to remove potential shock reasons.

1010 Base cover

Figure 1. Removal steps of base cover

Remove the screws **1**. Then remove the base cover **2**.



Step	Screw (quantity)	Color	Torque	P/N
1	M2 × 4 mm, torx-head, nylok-coated (10) Lower to Upper	Silver	1.5-2.0 kgf.cm	5S10K93827

Note: Applying labels to the base cover

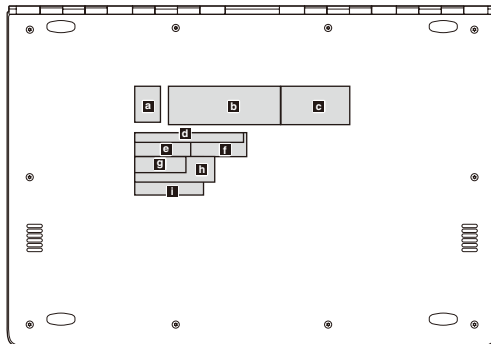
The new base cover FRU is shipped with a kit containing labels of several kinds. When you replace the base cover, you need to apply the following labels:

The following labels need to be peeled off from the old base cover and put on the new base cover.

- a** OS label
- b** Rating label(70*24mm or 33*24mm)
- c** Rating print label(43*24mm)
- d** Argentina label(68*6mm)
- e** WLAN label(35*15mm)
- f** BT label(35*15mm)
- g** Indonesia label(32*10mm)
- h** BIS label(50*16mm)
- i** KCC label(43*24mm)

For some models, you also need to apply one or two FCC labels. Check the old base cover; if it has one or two FCC labels, find duplicates of them in the label kit and apply them to the new base cover.

For the location of each label, refer to the following figure:



1020 Battery pack

For access, remove this FRU:

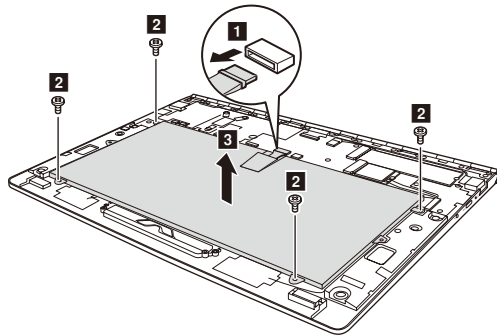
- “1010 Base cover” on page 33

⚠ DANGER

Only use the battery specified in the parts list for your computer. Any other battery could ignite or explode.

Figure 2. Removal steps of battery pack

Unplug the battery connector **1** and remove the screws **2**. Then remove the battery pack in the direction shown by arrow **3**.



Step	Screw (quantity)	Color	Torque	P/N
2	M2 × 3.0 mm, flat-head, nylok-coated (4) Bty to Upper	Black	1.5-2.0 kgf.cm	5S10K93801

When installing: Make sure that the battery connector is attached firmly.

1030 PCI Express Mini Card for wireless LAN

For access, remove these FRUs in order:

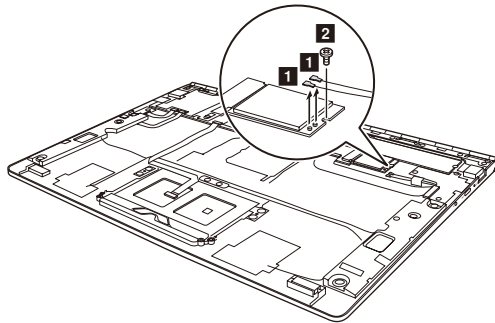
- “1010 Base cover” on page 33
- “1020 Battery pack” on page 35

Important:

The preinstalled WLAN module may only be replaced with a Lenovo approved module in order to comply with FCC and IC regulations. Refer to Table 4 “Parts list—Overall” on page 64 for Lenovo part numbers for the approved modules.

Figure 3. Removal steps of PCI Express Mini Card for wireless LAN

Disconnect the two wireless LAN cables (black, white) **1**, and then remove the screw **2**.



Step	Screw (quantity)	Color	Torque	P/N
2	M2 × 3 mm, flat-head, nylok-coated (1) WLAN to Upper	Black	1.5-2.0 kgf.cm	5S10K93801

Remove the card in the direction shown by arrow **3**.

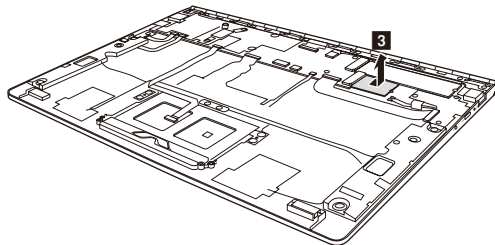


Figure 3. Removal steps of PCI Express Mini Card for wireless LAN (continued)

In step ■, unplug the jacks by using the removal tool antenna RF connector (P/N: 08K7159), or pick up the connectors with your fingers and gently unplug them in the direction shown by the arrows.

Notes: The wireless LAN card has 2 cables in step ■.

The wireless LAN card in some models might have 3 cables in step ■.

When installing:

- In models with a wireless LAN card that has two antenna connectors, plug the black cable (1st) (MAIN) into the jack labeled 1, and the white cable (2nd) (AUX) into jack labeled 2 on the card.
- In models with a wireless LAN card that has three antenna connectors, plug the black cable (1st) (MAIN) into the jack labeled 1, the grey cable (3rd) into jack labeled 3, and the white cable (2nd) (AUX) into jack labeled 2 on the card.

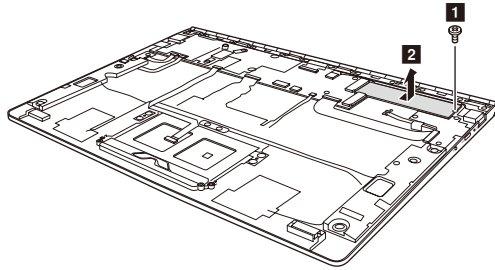
1040 SSD card

For access, remove these FRUs in order:

- “1010 Base cover” on page 33
- “1020 Battery pack” on page 35

Figure 4. Removal steps of SSD card

Remove the screw **1**, and then remove the SSD card in the direction shown by arrow **2**.



Step	Screw (quantity)	Color	Torque	P/N
2	M2 × 3 mm, flat-head, nylok-coated (1) SSD to Upper	Black	1.5-2.0 kgf.cm	5S10K93801

1050 System board

Important notices for handling the system board:

When handling the system board, bear the following in mind.

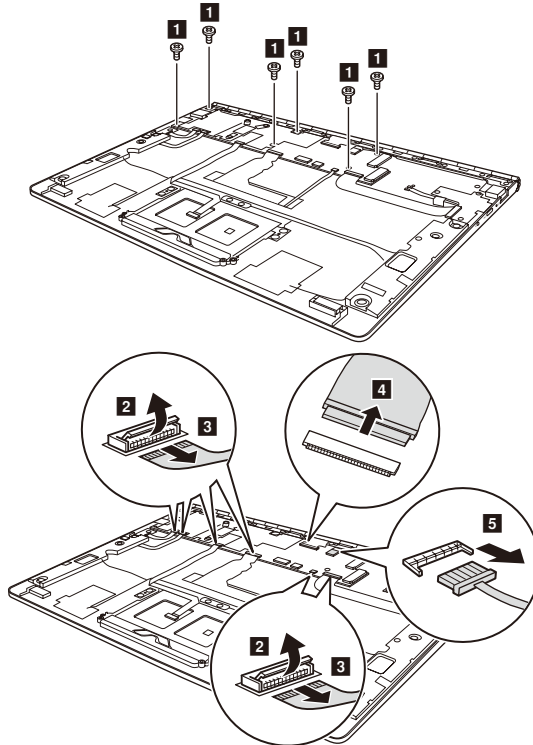
- Be careful not to drop the system board on a bench top that has a hard surface, such as metal, wood, or composite.
- Avoid rough handling of any kind.
- During the whole process, make sure not to drop or stack the system board.
- If you put a system board down, make sure to put it only on a padded surface, such as an ESD mat or conductive corrugated material.

For access, remove these FRUs in order:

- “1010 Base cover” on page 33
- “1020 Battery pack” on page 35
- “1030 PCI Express Mini Card for wireless LAN” on page 36
- “1040 SSD card” on page 38

Figure 5. Removal steps of system board

Remove screws **■**. Detach keyboard connector, touch pad connector, speaker connector, power button board and IO board connector in the directions shown by arrows **2** and **3**. Disconnect LCD connector in the direction shown by arrow **4**. Unplug DC-IN connector in the direction shown by arrow **5**.

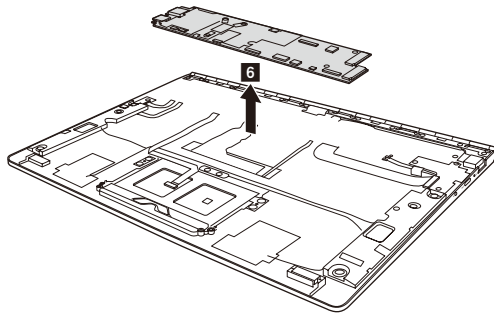


When installing: Make sure that all the connectors are attached firmly

Step	Screw (quantity)	Color	Torque	P/N
■	M2 × 3 mm, flat-head, nylok-coated (6) MB to Upper	Black	1.5-2.0 kgf.cm	5S10K93801

Figure 5. Removal steps of system board (continued)

Remove the system board in the direction shown by arrow **6**.



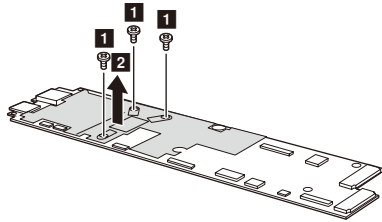
1060 Heat sink assembly

For access, remove these FRUs in order:

- “1010 Base cover” on page 33
- “1020 Battery pack” on page 35
- “1030 PCI Express Mini Card for wireless LAN” on page 36
- “1040 SSD card” on page 38
- “1050 System board” on page 39

Figure 6. Removal steps of heat sink assembly

Remove the screws **■**. Lift the heat sink assembly in the direction shown by arrow **2**.



Step	Screw (quantity)	Color	Torque	P/N
■	M2 × 3 mm, flat-head, nylok-coated (3) Thermal module to MB	Black	1.5-2.0 kgf.cm	5S10K93801

Attention: Do not handle the heat sink assembly roughly. Improper handling can cause distortion or deformation and imperfect contact with components.

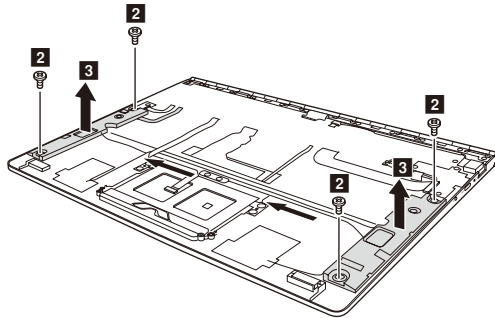
1070 Speakers

For access, remove these FRUs in order:

- “1010 Base cover” on page 33
- “1020 Battery pack” on page 35
- “1030 PCI Express Mini Card for wireless LAN” on page 36
- “1040 SSD card” on page 38
- “1050 System board” on page 39
- “1060 Heat sink assembly” on page 42

Figure 7. Removal steps of speakers

Release the cables from the cable guides in the direction shown by arrows. Unplug connector **1**. Remove the screws **2**. Lift the speakers in the direction shown by arrows **3**.



When installing: Make sure that the connector is attached firmly.

Route the antenna cables along the cable guides. As you route the cables, make sure that they are not subjected to any tension. Tension could cause the cables to be damaged by the cable guides, or a wire to be broken.

Step	Screw (quantity)	Color	Torque	P/N
1	M2 × 2 mm, flat-head, nylok-coated (4) speaker to upper	Black	1.5-2.0 kgf.cm	5S10K93857

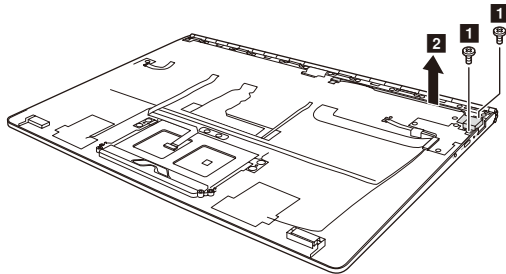
1080 Power assembly, USB board, power button board and touch pad

For access, remove these FRUs in order:

- “1010 Base cover” on page 33
- “1020 Battery pack” on page 35
- “1030 PCI Express Mini Card for wireless LAN” on page 36
- “1040 SSD card” on page 38
- “1050 System board” on page 39
- “1060 Heat sink assembly” on page 42
- “1070 Speakers” on page 43

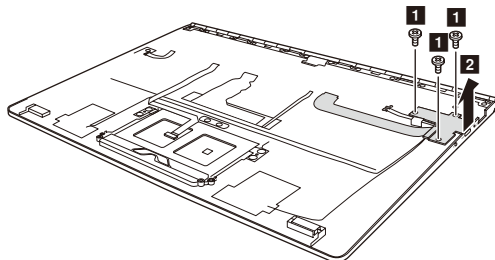
Figure 8. Removal steps of power assembly, USB board, power button board and touch pad

Remove screws **1**. Remove the power assembly in the direction shown by arrow **2**.



Step	Screw (quantity)	Color	Torque	P/N
2	M2 × 3 mm, flat-head, nylok-coated (1) power assembly to Upper	Black	1.5-2.0 kgf.cm	5S10K93801

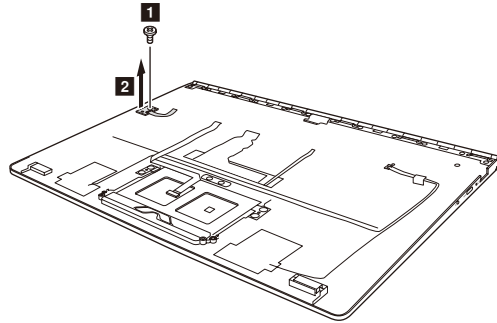
Remove screws **1**. Remove the USB board in the direction shown by arrow **2**.



Step	Screw (quantity)	Color	Torque	P/N
2	M2 × 2 mm, flat-head, nylok-coated (3) USB board to upper	Black	1.5-2.0 kgf.cm	5S10K93857

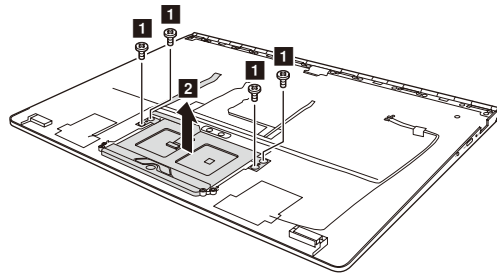
Figure 8. Removal steps of power assembly, IO board, power button board and touch pad(continued)

Remove screw ■. Remove the power button board in the direction shown by arrow 2.



Step	Screw (quantity)	Color	Torque	P/N
■	M2 × 3 mm, flat-head, nylok-coated (1) power button board to Upper	Black	1.5-2.0 kgf.cm	5S10K93801

Remove screws ■. Remove the touch pad in the direction shown by arrow 2.



Step	Screw (quantity)	Color	Torque
■	M2 × 1.7 mm, flat-head, nylok-coated (4) touch pad to upper	Black	1.5-2.0 kgf.cm

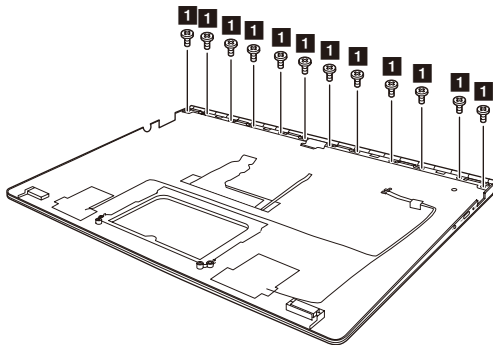
1090 LCD unit

For access, remove these FRUs in order:

- “1010 Base cover” on page 33
- “1020 Battery pack” on page 35
- “1030 PCI Express Mini Card for wireless LAN” on page 36
- “1040 SSD card” on page 38
- “1050 System board” on page 39
- “1060 Heat sink assembly” on page 42
- “1070 Speakers” on page 43
- “1080 Power assembly, USB board, power button board and touch pad” on page 44

Figure 9. Removal steps of LCD unit

Remove the screws .




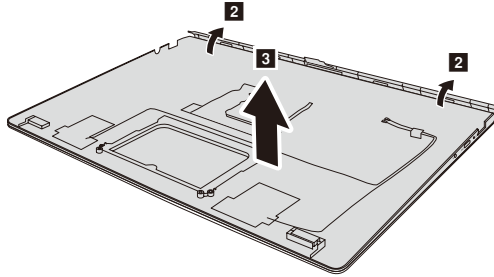
Step	Screw (quantity)	Color	Torque	P/N
	M2 × 2 mm, flat-head, nylok-coated (12) Hinge to Upper	Black	1.5-2.0 kgf.cm	5S10K93857

Figure 9. Removal steps of LCD unit (continued)

Open the hinges **2**, then remove the upper case from the LCD unit in the direction shown by arrow **3**.



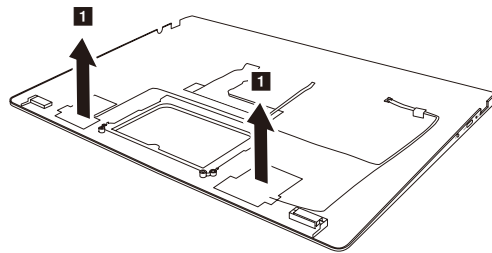
1100 Antenna

For access, remove these FRUs in order:

- “1010 Base cover” on page 33
- “1020 Battery pack” on page 35
- “1030 PCI Express Mini Card for wireless LAN” on page 36
- “1040 SSD card” on page 38
- “1050 System board” on page 39
- “1060 Heat sink assembly” on page 42
- “1070 Speakers” on page 43
- “1080 Power assembly, USB board, power button board and touch pad” on page 44
- “1090 LCD unit” on page 46

Figure 10. Removal steps of antenna

Remove the antenna in the direction shown by arrows **1**.



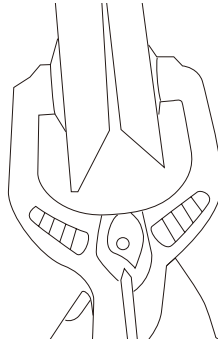
1110 LCD module

For access, remove these FRUs in order:

- “1010 Base cover” on page 33
- “1020 Battery pack” on page 35
- “1030 PCI Express Mini Card for wireless LAN” on page 36
- “1040 SSD card” on page 38
- “1050 System board” on page 39
- “1060 Heat sink assembly” on page 42
- “1070 Speakers” on page 43
- “1080 Power assembly, USB board, power button board and touch pad” on page 44
- “1090 LCD unit” on page 46
- “1100 Antenna” on page 48

Figure 11 . Removal steps of LCD module

Detach the LCD panel from LCD cover using a sucker plate as shown below.



Attention: When attaching the LCD panel to the LCD cover, make sure to press the LCD cover side instead of the LCD panel side, otherwise it might cause damage.

Detach the LCD cable connector in the direction shown by arrow **1**. Detach the touch control board, Mic board and the sensor board connectors in the direction shown by arrows **2** **3**. Then remove the LCD cable.

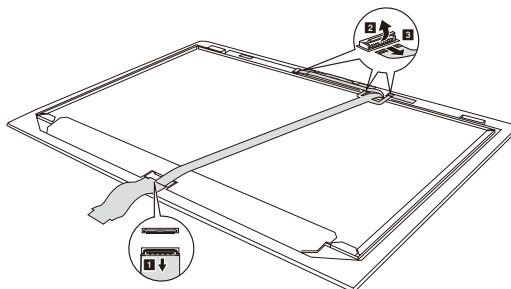
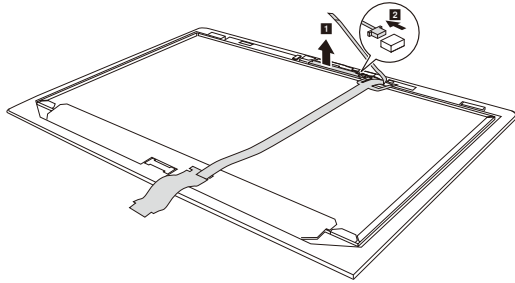


Figure 11. Removal steps of LCD module (continued)

Lift the camera slightly **1**. Unplug the integrated camera connector in the direction shown by arrow **2**. Remove the integrated camera from the LCD module.



1120 Mic board, Sensor board, LCD cover, and hinges

For access, remove these FRUs in order:

- “1010 Base cover” on page 33
- “1020 Battery pack” on page 35
- “1030 PCI Express Mini Card for wireless LAN” on page 36
- “1040 SSD card” on page 38
- “1050 System board” on page 39
- “1060 Heat sink assembly” on page 42
- “1070 Speakers” on page 43
- “1080 Power assembly, USB board, power button board and touch pad” on page 44
- “1090 LCD unit” on page 46
- “1100 Antenna” on page 48
- “1110 LCD module” on page 49

Figure 12. Removal steps of Mic board, Sensor board, LCD cover, and hinges

Remove the Mic board in the direction shown by arrow ■.

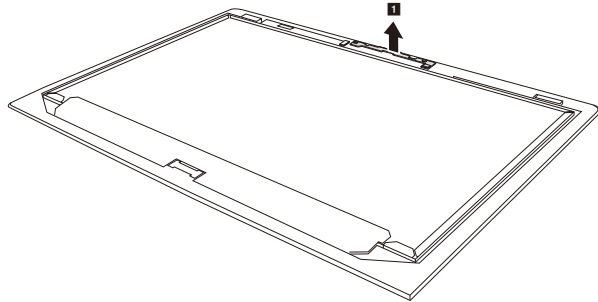
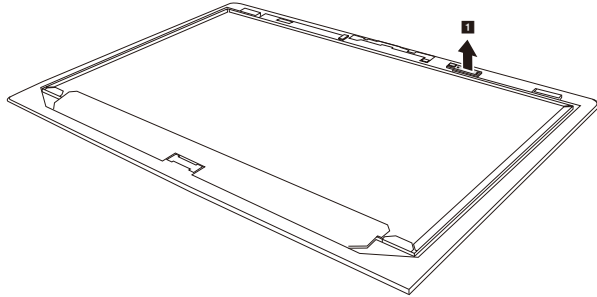
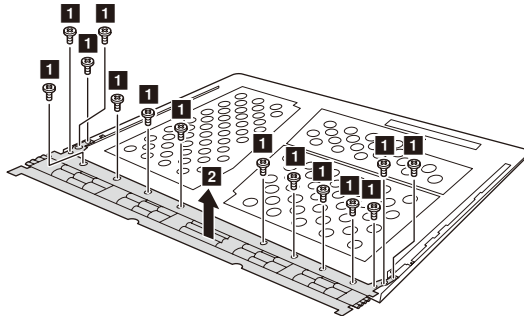


Figure 12. Removal steps of Mic board, Sensor board, LCD cover, and hinges (continued)

Remove the sensor board in the direction shown by arrow **1**.



Remove the screws **1**, then remove the hinges in the directions shown by arrows **2**.



Step	Screw (quantity)	Color	Torque
1	M2 × 2 mm, flat-head, nylok-coated (14) Hinge BKT to LCD cover	Silver	1.5-2.0 kgf.cm

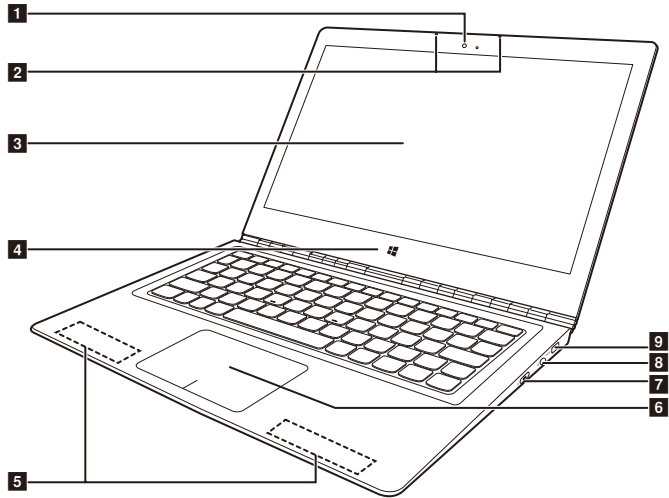
Locations

Front view and right-side view

- 1 Integrated camera (on select models)
- 2 Built-in microphones
- 3 Multi-touch screen
- 4 Windows button
- 5 Wireless LAN antennas
- 6 Touch pad
- 7 Power button and power status indicator

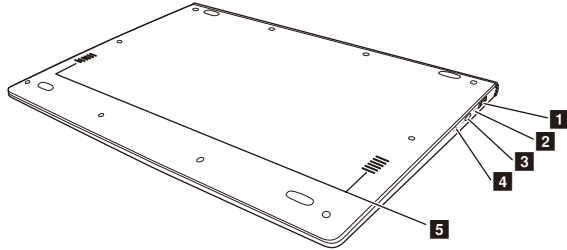
Note: For the description of each indicator, see “Status indicators” on page 29.

- 8 Combo audio jack
- 9 USB 3.0 port



Bottom and Left-side view

- AC power adapter jack
- 2 Battery status indicator
- 3 Type-C port
- 4 Novo button
- 5 Speakers



Parts list

This section presents the following service parts:

- “Overall” on page 59
- “LCD FRUs” on page 63
- “Keyboard” on page 65
- “Screw” on page 69
- “AC adapters” on page 70
- “Power cords” on page 71

Notes:

- Each FRU is available for all types or models, unless specific types or models are specified.

Overall

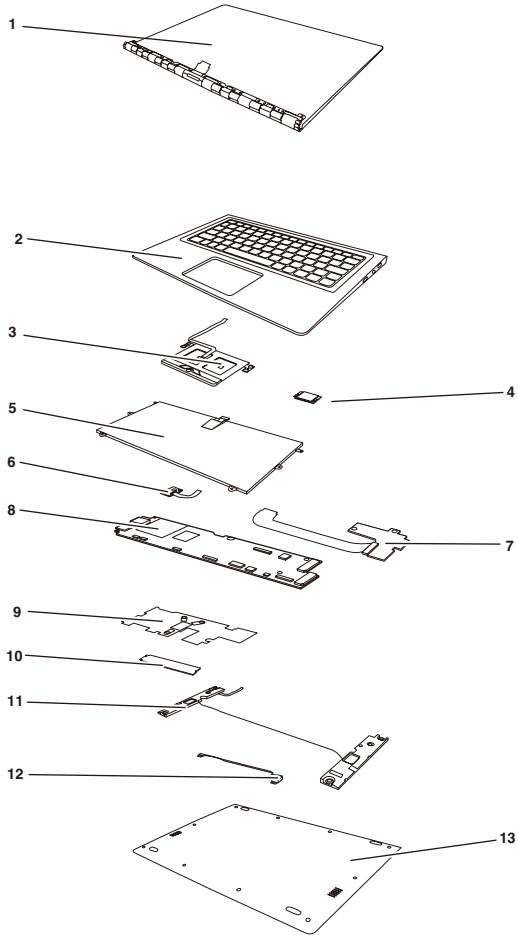


Table 4. Parts list—Overall

No.	FRU	FRU no.	CRU ID.
1	LCD unit (see "LCD FRUs" on page 63.)		N
2	Upper Case L 80ML BKL Silver US	5CB0K93860	N
2	Upper Case L 80ML BKL Silver GK	5CB0K93822	N
2	Upper Case L 80MLBKL Silver US INT'E	5CB0K93848	N
2	Upper Case L 80ML BKL Silver KO	5CB0K93791	N
2	Upper Case L 80ML BKL Silver CH	5CB0K93858	N
2	Upper Case L 80ML BKL Silver RU	5CB0K93853	N
2	Upper Case L 80ML BKL Silver AR-E	5CB0K93828	N
2	Upper Case L 80ML BKL Silver HB	5CB0K93865	N
2	Upper Case L 80ML BKL Silver TI	5CB0K93824	N
2	Upper Case L 80ML BKL Silver INDIA	5CB0K93817	N
2	Upper Case L 80ML BKL Silver USA	5CB0K93861	N
2	Upper Case L 80ML BKL Silver UK	5CB0K93854	N
2	Upper Case L 80ML BKL Silver IT	5CB0K93833	N
2	Upper Case L 80ML BKL Silver SP	5CB0K93836	N
2	Upper Case L 80ML BKL Silver TR	5CB0K93850	N
2	Upper Case L 80ML BKL Silver PO	5CB0K93794	N
2	Upper Case L 80ML BKL Silver LA	5CB0K93880	N
2	Upper Case L 80ML BKL Silver CF-E	5CB0K93808	N
2	Upper Case L 80ML BKL Silver ND	5CB0K93867	N
2	Upper Case L 80ML BKL Silver FR	5CB0K93838	N
2	Upper Case L 80ML BKL Silver GR	5CB0K93842	N
2	Upper Case L 80ML BKL Silver NL	5CB0K93870	N
2	Upper Case L 80ML BKL Silver HG	5CB0K93832	N
2	Upper Case L 80ML BKL Silver BE	5CB0K93796	N
2	Upper Case L 80ML BKL Silver ICE	5CB0K93834	N
2	Upper Case L 80ML BKL Silver SA	5CB0K93866	N
2	Upper Case L 80ML BKL Silver SW	5CB0K93840	N
2	Upper Case L 80ML BKL Silver BU	5CB0K93813	N
2	Upper Case L 80ML BKL Silver CZ-SK	5CB0K93883	N
2	Upper Case L 80ML BKL Silver BZ	5CB0K93798	N
2	Upper Case L 80ML BKL Silver AR-FR	5CB0K93847	N
2	Upper Case L 80ML BKL Silver JA	5CB0K93877	N
2	Upper Case L 80ML BKL Golden US	5CB0K93814	N
2	Upper Case L 80ML BKL Golden GK	5CB0K93844	N
2	Upper Case L 80ML BKL Golden US INT'E	5CB0K93792	N
2	Upper Case L 80ML BKL Golden KO	5CB0K93868	N
2	Upper Case L 80ML BKL Golden CH	5CB0K93876	N
2	Upper Case L 80ML BKL Golden RU	5CB0K93800	N
2	Upper Case L 80ML BKL Golden AR-E	5CB0K93881	N
2	Upper Case L 80ML BKL Golden HB	5CB0K93816	N
2	Upper Case L 80ML BKL Golden TI	5CB0K93830	N
2	Upper Case L 80ML BKL Golden INDIA	5CB0K93825	N
2	Upper Case L 80ML BKL Golden USA	5CB0K93864	N
2	Upper Case L 80ML BKL Golden UK	5CB0K93799	N
2	Upper Case L 80ML BKL Golden IT	5CB0K93810	N

Table 4. Parts list—Overall (continued)

No.	FRU	FRU no.	CRU ID.
2	Upper Case L 80ML BKL Golden SP	5CB0K93851	N
2	Upper Case L 80ML BKL Golden TR	5CB0K93875	N
2	Upper Case L 80ML BKL Golden PO	5CB0K93863	N
2	Upper Case L 80ML BKL Golden LA	5CB0K93820	N
2	Upper Case L 80ML BKL Golden CF-E	5CB0K93790	N
2	Upper Case L 80ML BKL Golden ND	5CB0K93823	N
2	Upper Case L 80ML BKL Golden FR	5CB0K93819	N
2	Upper Case L 80ML BKL Golden GR	5CB0K93831	N
2	Upper Case L 80ML BKL Golden NL	5CB0K93806	N
2	Upper Case L 80ML BKL Golden HG	5CB0K93849	N
2	Upper Case L 80ML BKL Golden BE	5CB0K93872	N
2	Upper Case L 80ML BKL Golden ICE	5CB0K93874	N
2	Upper Case L 80ML BKL Golden SA	5CB0K93841	N
2	Upper Case L 80ML BKL Golden SW	5CB0K93835	N
2	Upper Case L 80ML BKL Golden BU	5CB0K93852	N
2	Upper Case L 80ML BKL Golden CZ-SK	5CB0K93807	N
2	Upper Case L 80ML BKL Golden BZ	5CB0K93873	N
2	Upper Case L 80ML BKL Golden AR-FR	5CB0K93869	N
2	Upper Case L 80ML BKL Golden JA	5CB0K93809	N
3	Touchpad, 59x89 I2C (Mylar Surface), TM2714-003 59x89x0.5 0.5 I2c	5T60K13774	N
4	WLAN & BT, Intel WiFi 2x2 AC + BT4.0, Intel 8260 2x2AC+BT PCIE M.2 WLAN NV SAR	SW10A11647	N
4	WLAN & BT, Non-Intel 2X2 AC + BT4.0, Ltn BCM4350 2x2AC+BT4.0 PCIE M.2 WLAN	SW10H24481	N
4	WLAN & BT, Non-Intel 2X2 AC + BT4.0, Fxn BCM4350 2x2AC+BT4.0 PCIE M.2 WLAN	SW10H24482	N
5	Battery, 53Wh Li-polymer battery, Maksim SP/A L15M4P20 7.7V53Wh4cell bty	5B10J50662	N
5	Battery, 53Wh Li-polymer battery, Maksim SP/C L15M4P20 7.7V53Wh4cell bty	5B10J50660	N
5	Battery, 53Wh Li-polymer battery, Maksim LG L15L4P20 7.7V53Wh4cell bty	5B10J66116	N
6	Power Board L 80ML W/Cable	5C50K93804	N
7	USB Board L 80ML W/Cable	5C50K93815	N
8	MB L 80ML NOK 6Y54 4G UMA	5B20K93821	N
8	MB L 80ML WIN 6Y54 4G UMA	5B20K93846	N
8	MB L 80ML NOK 6Y54 8G UMA	5B20K93793	N
8	MB L 80ML WIN 6Y54 8G UMA	5B20K93811	N
8	MB L 80ML NOK 6Y75 4G UMA	5B20K93829	N
8	MB L 80ML WIN 6Y75 4G UMA	5B20K93878	N
8	MB L 80ML NOK 6Y75 8G UMA	5B20K93855	N
8	MB L 80ML WIN 6Y75 8G UMA	5B20K93803	N
9	Thermal Module L 80MLW/Fan	5H40K93805	N
10	SSD, M.2(PCI-e)128G, Samsung MZVLV128HCGR 128GB M.2 PCIE SSD PM951	5SD0J46480	N
10	SSD, M.2(PCI-e)256G, Samsung MZVLV256HCHP 256GB M.2 PCIE SSD PM951	5SD0J46479	N

Table 4. Parts list—Overall (continued)

No.	FRU	FRU no.	CRU ID.
10	SSD, M.2(PCI-e)512G, Samsung MZVLV512HCJH 512GB M.2 PCIE SSD PM951	5SD0J46481	N
11	Speaker L 80ML L+R	5SB0K93862	N
12	DC-IN Cable L 80ML	5C10K93826	N
13	Lower Case L 80ML Silver W/Rubber	5CB0K93859	N
13	Lower Case L 80ML Golden W/Rubber	5CB0K93839	N

LCD FRUs

In Lenovo YOGA 900S-12ISK, the type of LCD is 12.5-inch high definition (HD).

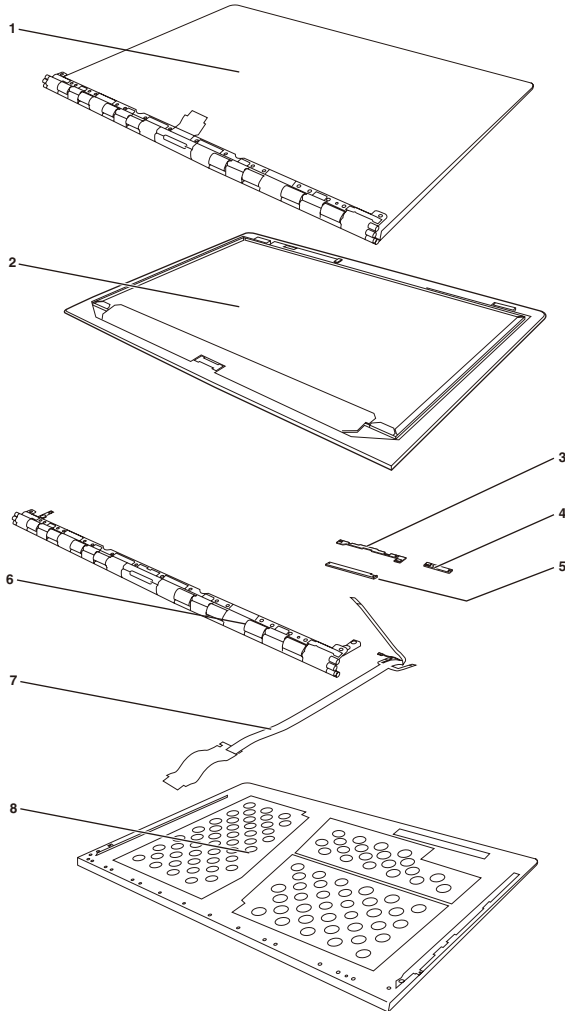


Table 5. Parts list—12.5-inch LCD FRUs

No.	FRU	FRU no.	CRU ID.
1	LCD Module L 80ML FHD	5D10K93871	N
1	LCD Module L 80ML QHD	5D10K93812	N
2	LCD, FHD+ 12.5" IPS, INX N125HCE-GP1 FHD G S NB	5D10H42980	N
2	LCD, FHD+ 12.5" IPS, AUO B125HAN02.2 0A FHD G S NB	5D10H42979	N
2	LCD, QHD 12.5" IPS, SR LQ125T1JX05-E QHDI G S NB	5D10K11172	N
2	Touch Screen Panel, Touch Screen Panel, SLC 125004AKM OGS EI YG4 TSP	5T50H56749	N
2	Touch Screen Panel, Touch Screen Panel, TPK S08B125005A OGSEI YG4 TSP	5T50J33313	N
2	Touch Panel Module, 12.5 FHD+ OGS DB, SLC INX 125FHD 125004AKF OGS	5T50H56751	N
2	Touch Panel Module, 12.5 FHD+ OGS DB, SLC AUO 125FHD 125004BKF OGS	5T50H56750	N
2	Touch Panel Module, 12.5 FHD+ OGS DB, TPK AUO125FHD S09CL12504A OGS	5T50J33312	N
2	Touch Panel Module, 12.5 FHD+ OGS DB, TPK INX 125FHD S09CL12504B OGS	ST50K02996	N
2	Touch Panel Module, 12.5" QHD OGS, SLC SRP 125QHD 125004CKF OGS	ST50K11173	N
3	MIC Board L 80ML	5C50K93795	N
4	Sensor Board L 80ML	5C50K93879	N
5	Camera L 80ML 720P HD	5C20K93802	N
5	Camera, 720P HD, BIS BN9R1DVT7 HD NB camera	SC20H56268	N
5	Camera, 720P HD, LTN 5BF102N2 HD NB camera	SC20H56267	N
5	Camera, 720P HD, AWA AM-1H144 HD NB camera	SC20H56266	N
6	Hinge L 80ML L+R Silver	5H50K93843	N
6	Hinge L 80ML L+R Golden	5H50K93845	N
6	Hinge, New Watch band hinge, Maksim_12_hinge_assy_AVC_Golden	SH50K25352	N
6	Hinge, New Watch band hinge, Maksim_12_hinge_assy_AVC	SH50J30533	N
7	EDP Cable L 80ML FHD	5C10K93797	N
7	EDP Cable L 80ML QHD	5C10K93856	N
8	LCD Cover L 80ML Silver	5CB0K93837	N
8	LCD Cover L 80ML Golden	5CB0K93882	N

Screw

Table 6. Parts list—screws

FRU	P/N	CRU ID.
Screw L 80ML 2.0D 2.0L K 5.5D 0.5T	5S10K93857	N
Screw L 80ML 2D 3L K 4.5D 0.5T	5S10K93801	N
Screw L 80ML 2D 4L K 3.3D 0.7T	5S10K93827	N
Screw L 80ML 2 1.6D 1.5L K 3.5D 0.3T	5S10K93818	N

AC adapters

Table 7. Parts list—AC adapters

FRU	P/N	CRU ID.
Adapter, USB 40W, Delta ADL40WDA 20V/5.2V 2A 40W adp B	5A10J40319	*
Adapter, USB 40W, Delta ADL40WDJ 20V/5.2V 2A 40W adp B	5A10J40323	*
Adapter, USB 40W, Delta ADL40WDB 20V/5.2V 2A 40W adp B	5A10J40330	*
Adapter, USB 40W, Delta ADL40WDD 20V/5.2V 2A 40W adp B	5A10J40320	*
Adapter, USB 40W, Delta ADL40WDK 20V/5.2V 2A 40W adp B	5A10J40328	*
Adapter, USB 40W, Delta ADL40WDG 20V/5.2V 2A 40W adp B	5A10J40318	*
Adapter, USB 40W, Delta ADL40WDE 20V/5.2V 2A 40W adp B	5A10J40326	*
Adapter, USB 40W, Delta ADL40WDC 20V/5.2V 2A 40W adp B	5A10J40316	*
Adapter, USB 40W, Delta ADL40WDH 20V/5.2V 2A 40W adp B	5A10J40327	*
Adapter, USB 40W, Liteon ADL40WLA 20V/5.2V 2A40W adp B	5A10J40317	*
Adapter, USB 40W, Liteon ADL40WLB 20V/5.2V 2A40W adp B	5A10J40324	*
Adapter, USB 40W, Liteon ADL40WLC 20V/5.2V 2A40W adp B	5A10J40332	*
Adapter, USB 40W, Liteon ADL40WLD 20V/5.2V 2A40W adp B	5A10J40325	*
Adapter, USB 40W, Liteon ADL40WLK 20V/5.2V 2A40W adp B	5A10J40331	*
Adapter, USB 40W, Liteon ADL40WLE 20V/5.2V 2A40W adp B	5A10J40322	*
Adapter, USB 40W, Liteon ADL40WLF 20V/5.2V 2A40W adp B	5A10J40329	*
Adapter, USB 40W, Liteon ADL40WLG 20V/5.2V 2A40W adp B	5A10J40321	*
Adapter, USB 40W, Liteon ADL40WLH 20V/5.2V 2A40W adp B	5A10J40392	*
Adapter, USB 40W, Chicony ADL40WCA 20V/5.2V 2A40W adp B	5A10J40383	*
Adapter, USB 40W, Chicony ADL40WCB 20V/5.2V 2A40W adp B	5A10J40384	*
Adapter, USB 40W, Chicony ADL40WCC 20V/5.2V 2A40W adp B	5A10J40385	*
Adapter, USB 40W, Chicony ADL40WCD 20V/5.2V 2A40W adp B	5A10J40387	*
Adapter, USB 40W, Chicony ADL40WCK 20V/5.2V 2A40W adp B	5A10J40388	*
Adapter, USB 40W, Chicony ADL40WCE 20V/5.2V 2A40W adp B	5A10J40389	*
Adapter, USB 40W, Chicony ADL40WCF 20V/5.2V 2A40W adp B	5A10J40386	*
Adapter, USB 40W, Chicony ADL40WCG 20V/5.2V 2A40W adp B	5A10J40391	*
Adapter, USB 40W, Chicony ADL40WCH 20V/5.2V 2A40W adp B	5A10J40390	*

Power cords

A Lenovo power cord for a specific country or region is usually available only in that country or region:

Table 8. Parts list—2-pin power cords

Region	P/N	CRU ID.
Power cable, USB PWD, Linetek fool proof 1.85m ORG USB cord	5L60J33144	*
Power cable, USB PWD, Luxshare fool proof 1.85m ORG USB cord	5L60J33145	*

Lenovo logo

Table 9. Parts list—Lenovo logo

FRU	P/N	CRU ID.
LENOVO Logo, Silver, Lenovo 45CF YOGA silver logo	SM20K17873	*
LENOVO Logo, golden, Lenovo 45CF YOGA golden logo	SM20K17872	*
LENOVO Logo, silver, Lenovo 45CF YOGA silver logo	SM20K17873	*
LENOVO Logo, golden, Lenovo 45CF YOGA golden logo	SM20K17872	*

Notices

Lenovo may not offer the products, services, or features discussed in this document in all countries. Consult your local Lenovo representative for information on the products and services currently available in your area. Any reference to a Lenovo product, program, or service is not intended to state or imply that only that Lenovo product, program, or service may be used. Any functionally equivalent product, program, or service that does not infringe any Lenovo intellectual property right may be used instead. However, it is the user's responsibility to evaluate and verify the operation of any other product, program, or service.

Lenovo may have patents or pending patent applications covering subject matter described in this document. The furnishing of this document does not give you any license to these patents.

LENOVO GROUP LTD. PROVIDES THIS PUBLICATION "AS IS" WITHOUT WARRANTY OF ANY KIND, EITHER EXPRESS OR IMPLIED, INCLUDING, BUT NOT LIMITED TO, THE IMPLIED WARRANTIES OF NON-INFRINGEMENT, MERCHANTABILITY OR FITNESS FOR A PARTICULAR PURPOSE. Some jurisdictions do not allow disclaimer of express or implied warranties in certain transactions, therefore, this statement may not apply to you.

This information could include technical inaccuracies or typographical errors. Changes are periodically made to the information herein; these changes will be incorporated in new editions of the publication. Lenovo may make improvements and/or changes in the product(s) and/or the program(s) described in this publication at any time without notice.

The products described in this document are not intended for use in implantation or other life support applications where malfunction may result in injury or death to persons. The information contained in this document does not affect or change Lenovo product specifications or warranties. Nothing in this document shall operate as an express or implied license or indemnity under the intellectual property rights of Lenovo or third parties. All information contained in this document was obtained in specific environments and is presented as an illustration. The result obtained in other operating environments may vary.

Lenovo may use or distribute any of the information you supply in any way it believes appropriate without incurring any obligation to you.

Any references in this publication to non-Lenovo Web sites are provided for convenience only and do not in any manner serve as an endorsement of those Web sites. The materials at those Web sites are not part of the materials for this Lenovo product, and use of those Web sites is at your own risk.

Any performance data contained herein was determined in a controlled environment. Therefore, the result obtained in other operating environments may vary significantly. Some measurements may have been made on development-level systems and there is no guarantee that these measurements will be the same on generally available systems. Furthermore, some measurements may have been estimated through extrapolation. Actual results may vary. Users of this document should verify the applicable data for their specific environment.

Trademarks

The following terms are trademarks or registered trademarks of Lenovo in the United States, other countries, or both.

Lenovo
OneKey

Microsoft and Windows are trademarks of Microsoft Corporation in the United States, other countries, or both.

Other company, products, or service names may be trademarks or service marks of others.